



Recycling Instructor–Led Training on the World–Wide Web (WWW)

Leslie A. Southern

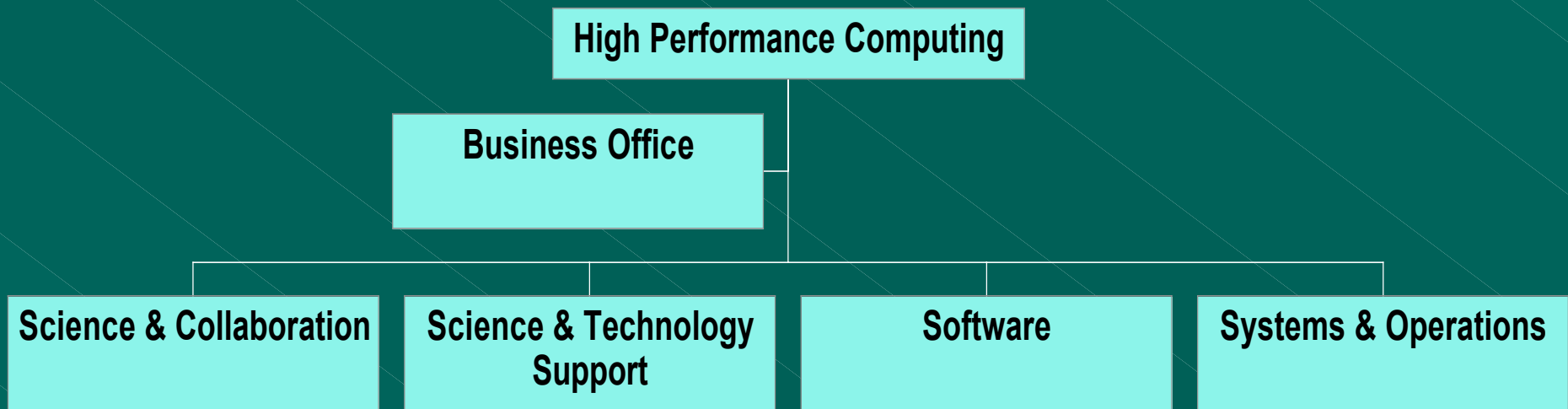
Ohio Supercomputer Center

1224 Kinnear Road, Columbus, OH 43212

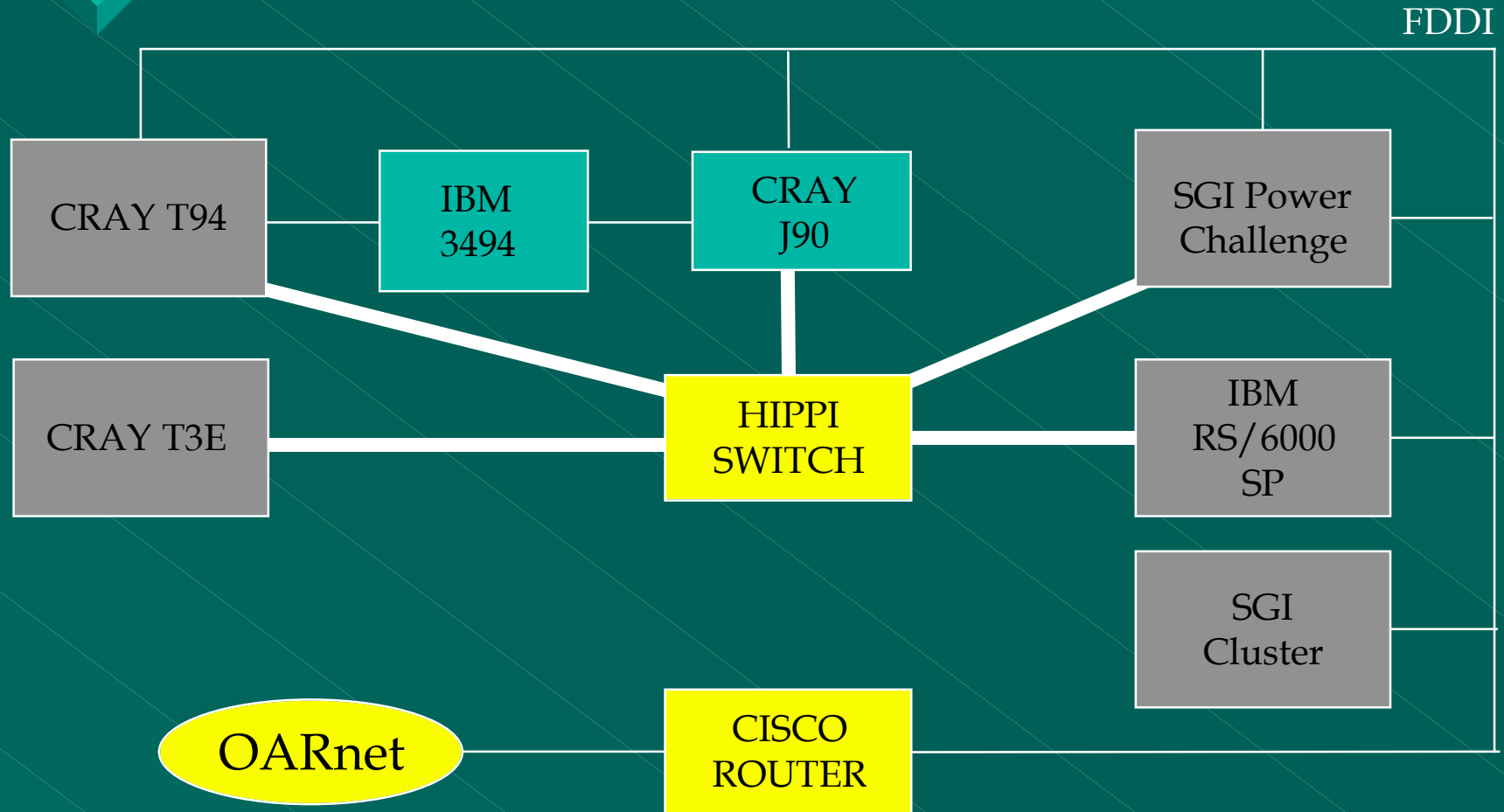
leslie@osc.edu



HPC Functional Organization



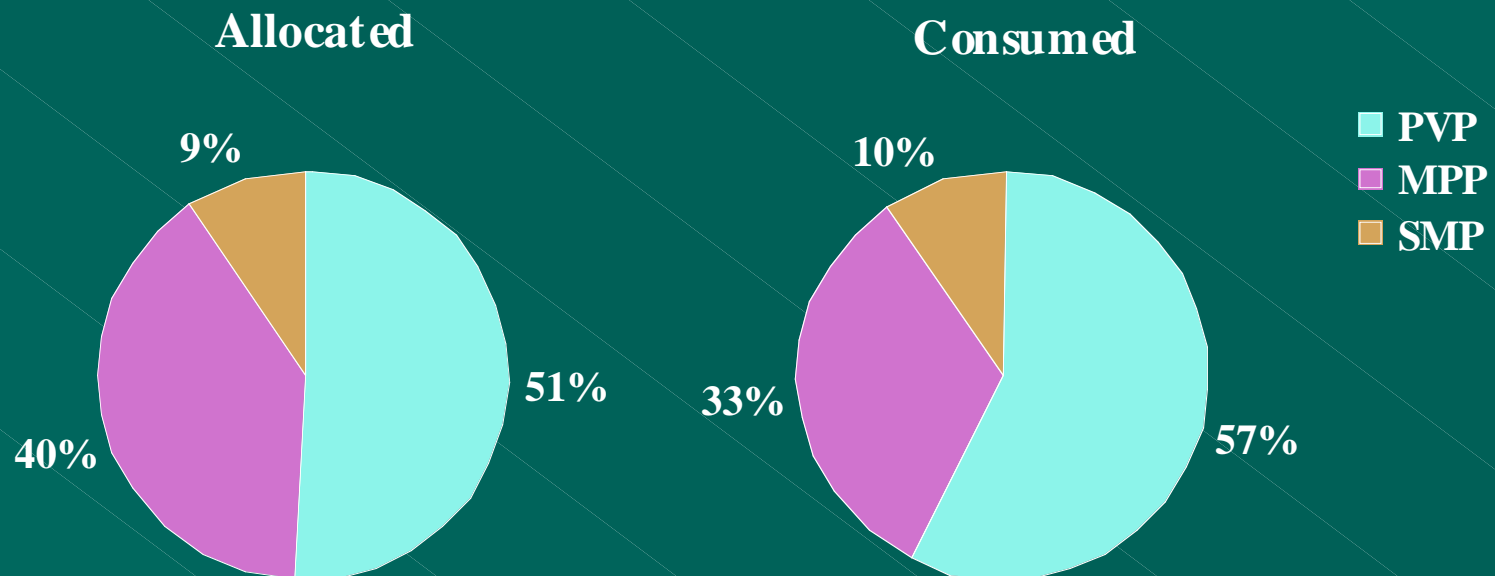
HPC Systems



User Profile by Architecture

State-of-the-art processing at midsize capacity

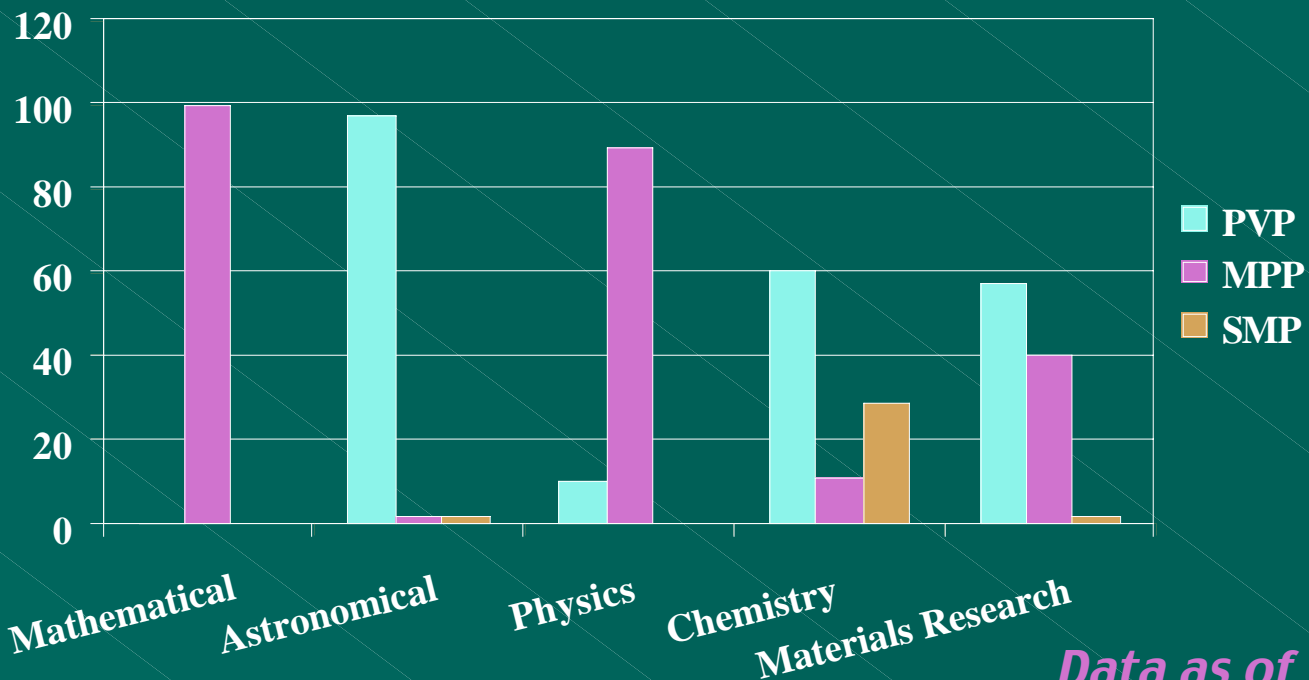
Resource Units by Architecture



Data as of 1/29/98

User Profile by Field of Science

~90% of users under Mathematical and Physical Sciences (NSF Code 100)



Data as of 1/29/98



Training Offerings

- ❖ **Using the CRAY [T90 | T3E] at OSC**
 - ◆ **Hardware Overview**
 - ◆ **Operating System Overview**
 - ◆ **Operation Environment**
 - ◆ **Programming Environment**
 - ◆ **Software Libraries**
 - ◆ **Optimization Techniques**
 - ◆ **Issues**
 - ◆ **References**

Real-Time Capturing

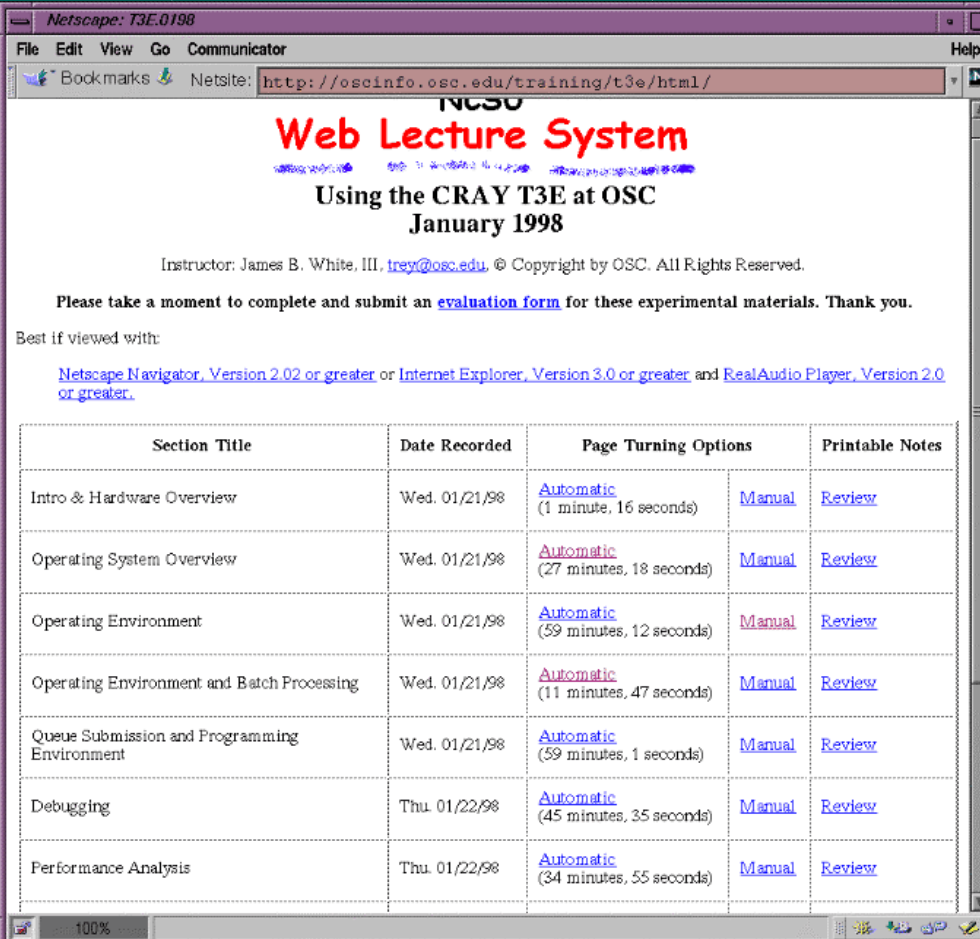
Instructor

- ✓ HTML files w/Navigation
- ✓ Wireless Microphone
- ✓ Projection System

Operator

- ✓ HTML files
- ✓ WLS
- ✓ Web Server
- ✓ RealAudio Server
- ✓ Wireless Microphone Receiver

Web-based Training Materials



Web Lecture System
Using the CRAY T3E at OSC
January 1998

Instructor: James B. White, III, trey@osc.edu, © Copyright by OSC. All Rights Reserved.

Please take a moment to complete and submit an [evaluation form](#) for these experimental materials. Thank you.

Best if viewed with:
[Netscape Navigator, Version 2.02 or greater](#) or [Internet Explorer, Version 3.0 or greater](#) and [RealAudio Player, Version 2.0 or greater](#).

Section Title	Date Recorded	Page Turning Options	Printable Notes
Intro & Hardware Overview	Wed. 01/21/98	Automatic (1 minute, 16 seconds) Manual	Review
Operating System Overview	Wed. 01/21/98	Automatic (27 minutes, 18 seconds) Manual	Review
Operating Environment	Wed. 01/21/98	Automatic (59 minutes, 12 seconds) Manual	Review
Operating Environment and Batch Processing	Wed. 01/21/98	Automatic (11 minutes, 47 seconds) Manual	Review
Queue Submission and Programming Environment	Wed. 01/21/98	Automatic (59 minutes, 1 seconds) Manual	Review
Debugging	Thu. 01/22/98	Automatic (45 minutes, 35 seconds) Manual	Review
Performance Analysis	Thu. 01/22/98	Automatic (34 minutes, 55 seconds) Manual	Review

<http://oscinfo.osc.edu/training/t3e/html/>



Observations

- ❖ **Plethora of files**
 - ◆ **WLS -- multiple frames**
 - ◆ **RealAudio – metafiles and sound files**
- ❖ **RealAudio uses absolute path names**
- ❖ **3 Viewing Methods -- automatic, manual, review**
- ❖ **Timings prior to loading plug-in**
- ❖ **Improved quality of presentations and material**

Future Plans

- ❖ **Include video with audio and synchronized slides**
- ❖ **Offer synchronous training to multiple sites**
- ❖ **Develop asynchronous training modules**