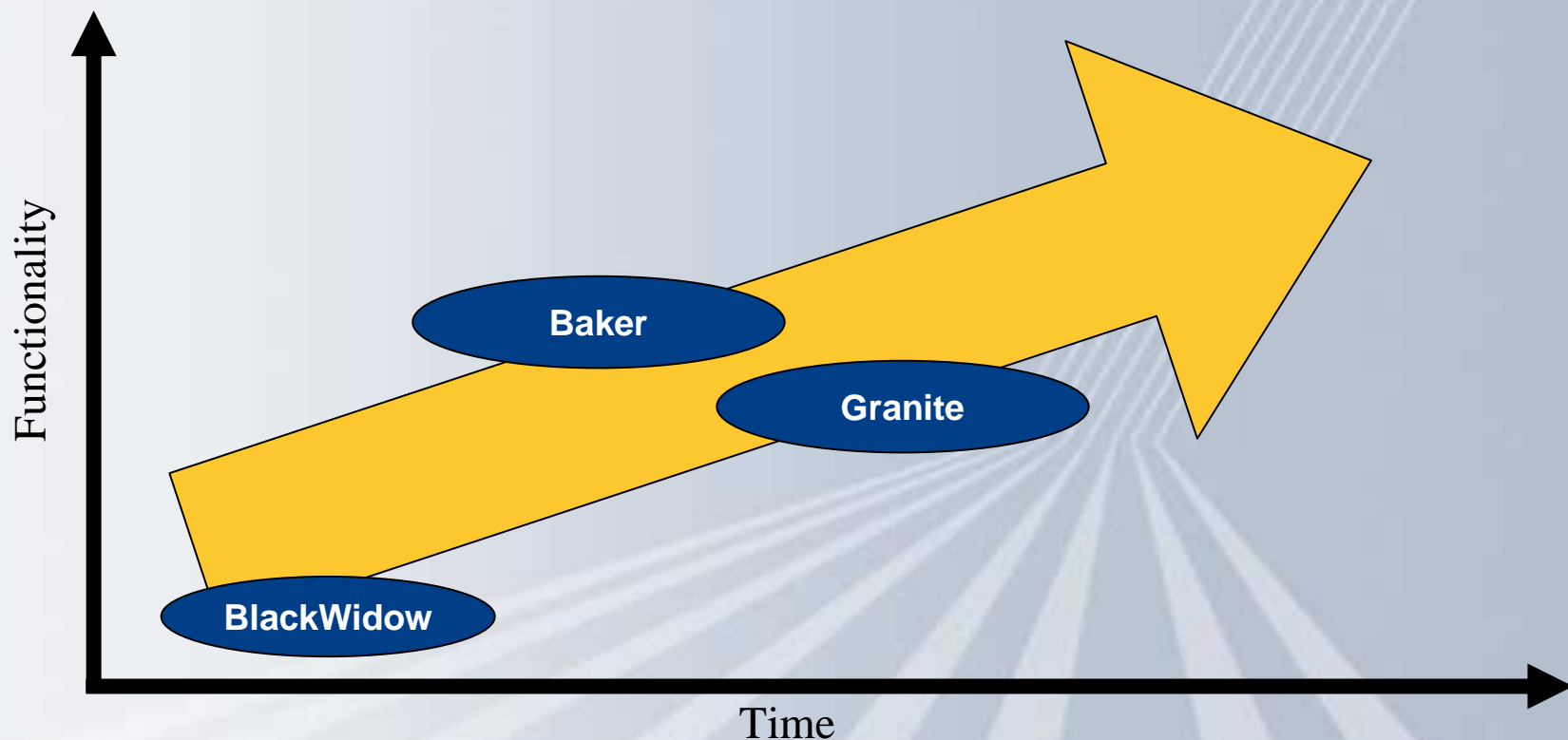


Mazama System Administration Infrastructure

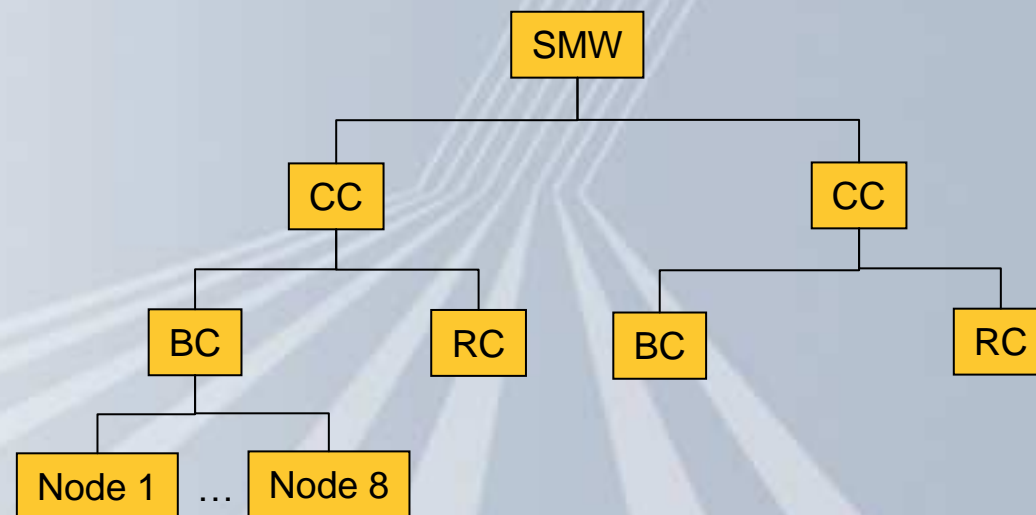
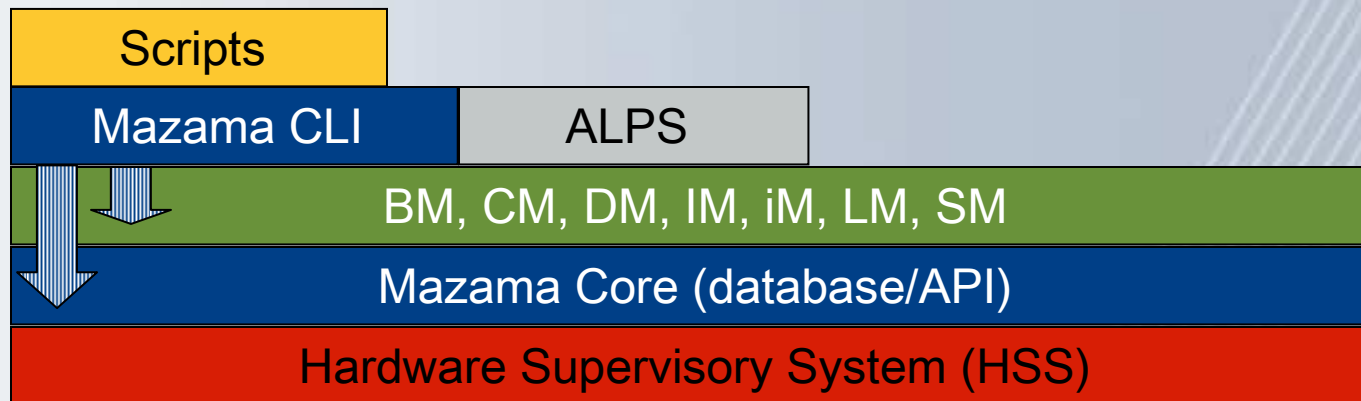
Jonathan Sparks

Introduction

- Next generation of system administration software.
- Interface for BlackWidow administration, integrated into Baker and beyond.



Mazama Architecture



Features

System Administration	System Governance
Command & Control Monitoring Image Management Node Attributes RAS	Configuration Provisioning Failure prediction & analysis Partition Management

Command and Control

- Day-2-day operations:
 - Boot (mzboot)
 - Dump (mzdump)
 - Power (mzpower)
 - Status (mzstate)
- Low-level state query operations.

Monitoring: logmanager

- Provides tools for analysis.
 - Searching
 - Payload analysis
 - Display
- Provides notification capabilities for messages.
 - Monitor and report on hardware and software components.
 - Monitor all logs and errors generated within the system.
 - Filter all messages generated within the cabinet and, based on site definable policies, are sent back to the SMW for storage and analysis.

Examples

- Continuous listing of all messages.

```
crayadm@nellie-smw:~> mzlslog -C1 --color -FtHpPm -t now-300
```

```
Time      Hostname      Program      Priority      Message
```

...

- Summarize the top producers of messages/events.

```
crayadm@nellie-smw:~> mzlslog --summary -t0
```

component	program	level	count
-----	-----	-----	-----
	mzsmd	error	50755
	bwconsole	error	47738
c0-0c0s0n0	ec_console_log	info	42426
c0-0c0s0n3	ec_console_log	info	21006
r11-0c1s6p0	ec_hw_err_log	error	9869
	mzpower	error	9249
	bwconsole	info	8884
r11-0c0s4p3	ec_hw_err_log	error	8011

- Selectively list all console messages from a known source.

```
crayadm@nellie-smw:~> mzlslog -tnow-3600 -p ec_console_log -c r16-1c1s5n0
```

...

Monitoring: Alarms

- Administrator can add and list custom alarm definitions.
- Definitions/actions can be:
 - Ignore: ignore messages/events in the logs.
 - Delete: delete messages/events from the logs.
 - Notify: Notify the administrator an event has happened.
 - Archive: Archive the log information.

Examples

- Notify the admin of a fault condition

```
crayadm@nellie-smw:~> mzlogdef -a -snotify -  
  Nadmin@localhost -pec_l0_health -q"*VERTY health check  
  fault*"
```

- Ignore all `ec_mesh_link_failed` messages

```
crayadm@nellie-smw:~> mzlogdef --create -s ignore -  
  pec_console
```

- Archive all messages to a file

```
crayadm@nellie-smw:~> mzlogdef -c -sarchive -  
  pec_hw_err_log -A ec_hw_err_log.txt
```

Image Management

- Definition: Image = Kernel + OS + kernel options.
- Install and upgrade compute node OS images.
- Allow site adaptations to compute node images.

Example:

```
crayadm@nellie-smw:~> mzimage  
Images found (2):
```

```
ID:1  Name:dailyRM-3D042407 RefCount:0 Description:BW Release Master  
      State:New 2007-04-24 12:51:10 Type:BW Release Master  
      Ref Image ID:0 Creation Time:2007-04-24 12:51:10  
      Image Path:file:///opt/mazama/RM/dailyRM-3D042407/  
      Huge Mem Page Size:65536
```

```
ID:2  Name:dailyPM-3D042407 RefCount:0 Description:  
      State:New 2007-04-25 11:57:13 Type:BW Partition Master  
      Ref Image ID:1 Creation Time:2007-04-24 12:51:52  
      Image Path:file:///opt/mazama/PM/dailyPM-3D042407/boot-  
      dailyPM-3D042407-2.cpio  
      Huge Mem Page Size:65536
```

Partition Management

- Definition: Partition = Number Nodes + Image.
- Aggregator for nodes and operations, such as boot, shutdown and dump.
- Allows the administrator to setup regions within the system running different images.

Example

```
crayadm@nellie-smw:~> mzpartition
```

```
Partitions found: 1
```

```
System attributes IP address: 192.168.0.0 Netmask: 255.255.0.0 Gateway:  
192.168.0.254
```

```
ID:1 (Default) Name:daily SysID:0 Image ID:2 Ideal Count:0 Min Count:4
```

```
Base address: defaults Netmask: defaults Gateway: defaults
```

```
Scripts
```

```
    Pre: not set
```

```
    Post: not set
```

```
Partitions found: 1
```

Node Attributes

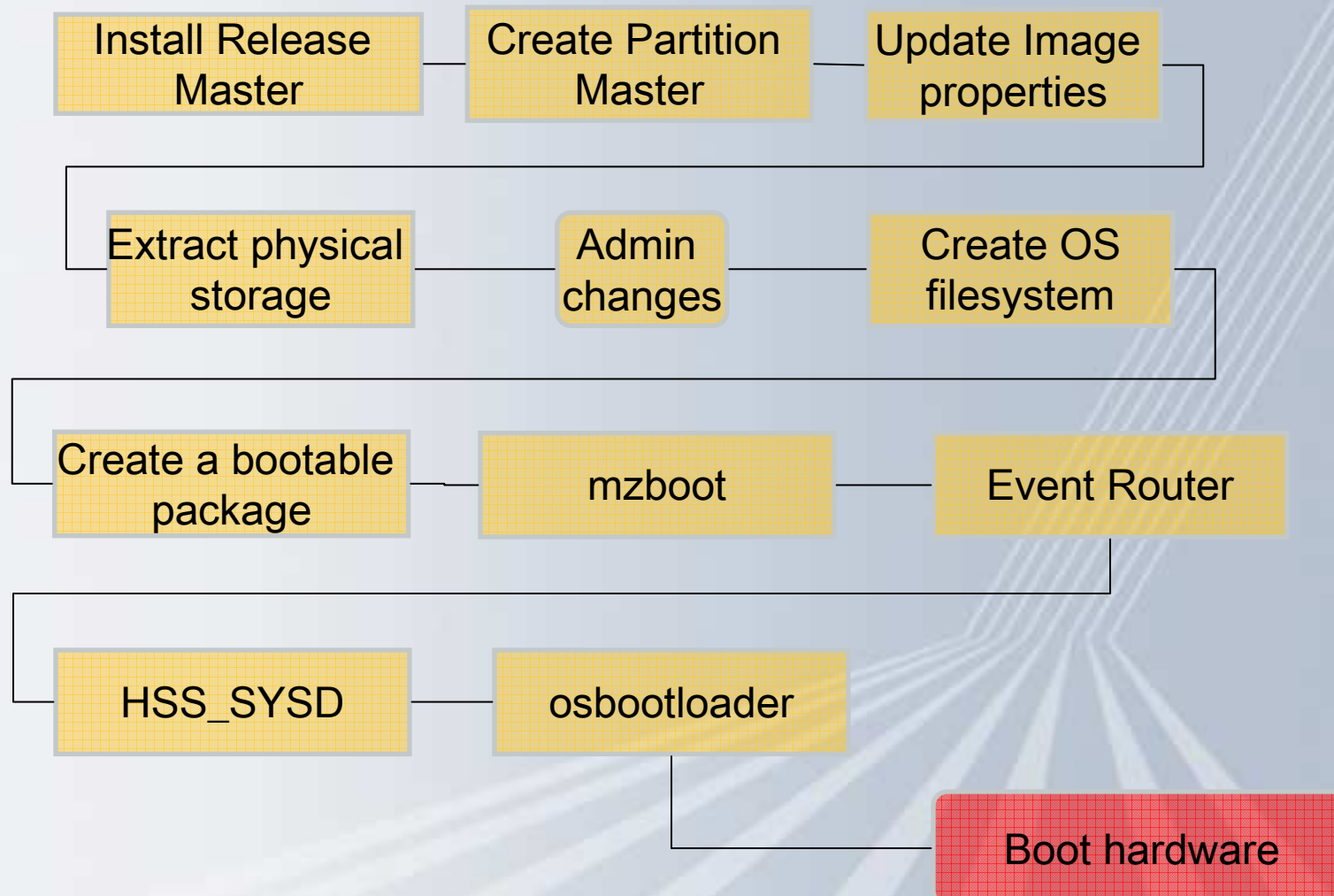
- Describes the smallest schedulable entity within the BlackWidow system.
- Used by ALPS for scheduling.
- Aggregation of many system attributes in one UI.

Example

```
crayadm@nellie-smw:~> mzattr --summary
```

Type	Attr	Count	Value
NODE	STATE	4	4 -> "BOOTING"
NODE	ADMIN_STATE	4	0 -> "UNAVAILABLE"
NODE	PARTITION_ID	4	1
NODE	MEM_SZ	4	32768 MB
NODE	HUGE_MEM_PSZ	4	65536 KB
NODE	HUGE_MEM_NPAGES	4	480
NODE	NSOCKETS	4	4
NODE	NODE_TYPE	4	1 -> "BlackWidow compute"
NODE	MACHINE_TYPE	4	0 -> "BlackWidow"
NODE	OS_TYPE	4	0 -> "BlackWidow"
NODE	OS_VERSION	4	FIX THIS OS VERSION!
NODE	KERNEL_VERSION	4	SLES10-042707
NODE	MPI_LABEL_0	4	
NODE	MPI_LABEL_1	4	
NODE	MPI_LABEL_2	4	
NODE	MPI_LABEL_3	4	
SOCKET	TYPE	16	0 -> "BlackWidow CPU"
SOCKET	SPEED	16	0 MHz
SOCKET	NCORES	16	1
SOCKET	MEM_SZ	16	32768 MB
SOCKET	MEM_SPEED	16	667 MHz

Use Case: Booting



Questions?